


**LO GIUDICE
MERFORI**

VUI TEK + S

Steel doors with multi-resistance against fire and manual attacks

A tailored door solution for fire protection offering multi resistance.

Security is continuously evolving as the risks, the technologies and the vulnerabilities are changing. Thus the need for security doors offering two or more physical resistances is increasing. In high-security sites, public and commercial buildings environments, companies are requesting protection combining fire, burglary and ballistic or blast resistances.

As fire protection requires specialists, Fichet has developed VulTek+ S, a new range of steel security doors that offers multi resistance against fire for class EI₂60 in accordance

with EN 1634-1 and for manual attacks for levels RC3 and RC4 according to EN 1627-30, all of which are certified. As an option, you can benefit from a certified resistance against ballistic attack for levels FB4 and FSG in accordance with the EN 1522 European standards. Available in single and double door version, VulTek+ S can be installed inside or on the exterior facade of your building and provides fire protection up to 60 minutes.

VUITEK+ S

Material

Framework	Electro galvanised steel
Infill	Electro galvanised steel sheets folded at the edges with fire protection
Finish	According to RAL colour chart, structured appearance

Standard equipment

Locking	3-point mechanical lock
Handle	Handle on both sides
Door closer	Surface mounted door closer

Construction

Leaf	Single or double
Operating	Manual hinged doorsets
Opening	Inward or outward
DIN	Left or right
Clear opening	900mm at 90° (single leaf)/ 1800mm at 90° (double leaf) 20mm doorstep

Reference standard

The Fichet VulTek+ S complete doorsets are certified EI260 for fire resistance according the European standard EN 1634-1.

“EI” certification to standard EN 1634-1 defines the ability of a product to retain specific characteristics for a given time, against fire:

- “E” defines the product integrity i.e. the door’s capacity to prevent from the passage of smoke, combustion gases or flames.
- “I” indicates the thermal insulation i.e. the door’s capacity to reduce the transmission of heat.

VulTek+ S also provides certified resistance against manual attacks for level RC3 and RC4 in accordance with the EN 1627-30.

When needed, VulTek+ S offers optional resistance against ballistic attacks for levels FB4 NS (pistols) and FSG (shotguns) in accordance with EN 1522 European Standards.

Models

- Certified Fire Resistance Doors VulTek+ S EI60-S M3, VulTek+ S EI60-S M4, VulTek+ S EI60-P M3 and VulTek+ S EI60-P M4.

Options

- Painted RAL colours
- Panic push bar
- 3-point electrical lock
- Aeration grid
- Glazed oculus
- Controlled handle OpenUp
- Door viewer
- Double door closing selector

Range composition

VulTek+ S



Single leaf



Double leaf

KEY FEATURES

- Fire-certified and manual attack protection
- Optional certified resistance against ballistic attacks.
- Emergency exit according to EN 179 and EN 1125.
- Choice of finishes and sizes.

Locking options

Lock Model	Resistance Levels				Options**		Options
	Fire in accordance with EN 1634-1	Manual attack in accordance with EN 1627		Bullet-proof in accordance with EN 1522	Panic bar	Free exit handle	
		RC3	RC4		EN 1125	EN 179	Controlled exit
Multi-point mechanical key lock							
Mottura mechanical lock	●	●	●	●	0	0	-
Iséo Multiblindo Classic	●	●	●	●	-	-	-
Multi-point mechanical key lock with RAM* (automated re-locking) feature							
Iséo Easy Exit	●	●	●	●	0	0	0 (OpenUp handle)
Assa abloy EL366	●	●		●	0	0	-
Motor-driven multi-point key lock with RAM* (automated re-locking) feature							
Iséo Emotion Exit	●	●	●	●	0	0	0 (OpenUp handle)
Assa Abloy EL566 (controlled entry with handle / free exit with handle)	●	●	●	●	0	●	-
Assa Abloy EL567 (controlled entry and exit with handle)	●	●	●	●	0	0	0
Assa Abloy EL256	●	●	●	●	0	0	-

* RAM: Automated re-locking

** Opaque door only

● Standard ○ Optional - Not available

VUITEK+ S

Standard technical specifications

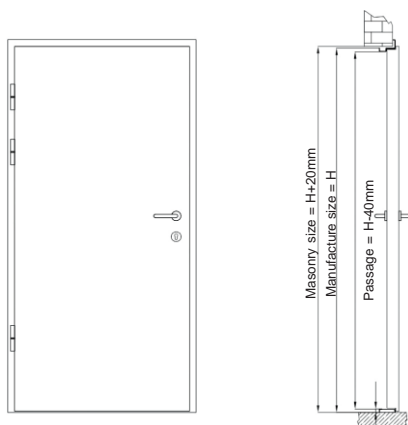
Model	Rating			Leaf options	Overall dimensions of the door (mm)				Clear passage (door opening at 90°) (mm)		Steel Infill
	Fire resistance	Manual attack resistance	Optional ballistic resistance		Width		Height		Width	Height	
					Surface mounted	Tunnel mounted	Surface mounted	Tunnel mounted			
VuITek+ S EI60-S M3	EI ₂ 60 to EN 1634-1	RC3 to EN 1627/30	FB4 NS / FSG to EN 1522	Simple / Double	980-1918	1070-1998	2090-2090	2135-2135	900-1800	2050	Solid
VuITek+ S EI60-S M4		RC4 to EN 1627/30							900-1800	2050	
VuITek+ S EI60-P M3		RC3 to EN 1627/30	-						900-1800	2050	Oculus
VuITek+ S EI60-P M4		RC4 to EN 1627/30							900-1800	2050	

Min-Max technical specifications

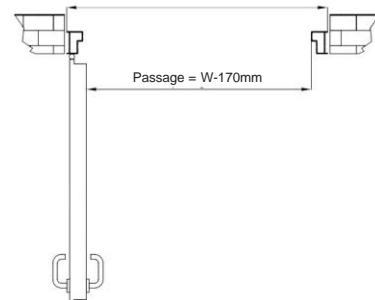
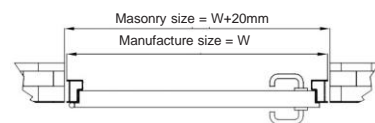
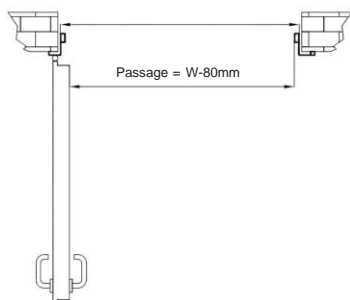
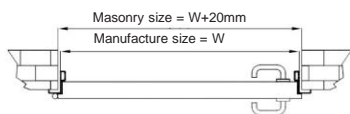
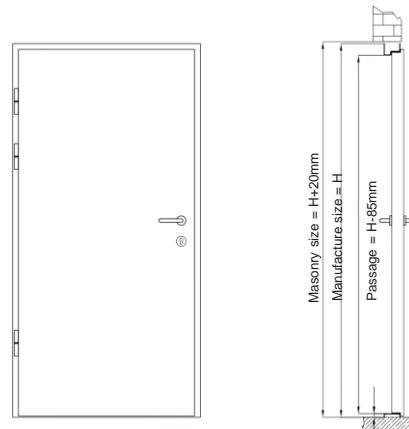
Model	Rating			Leaf options	Overall dimensions of the door (mm)				Clear passage (door opening at 90°)(mm)		Steel Infill
	Fire resistance	Manual attack resistance	Optional ballistic resistance		Min-Max Width		Min-Max Height		Min-Max Width	Min-Max Height	
					Surface mounted	Tunnel mounted	Surface mounted	Surface mounted			
VuITek+ S EI60-S M3	EI ₂ 60 to EN 1634-1	RC3 to EN 1627/30	FB4 NS / FSG to EN 1522	Simple / Double	780-1280 / 1515-2115	870-1370 / 1600-2200	1990-2500 / 1990-2500	2035-2500 / 2035-2500	700-1200 / 1400-2000	1950-2400 / 1950-2400	Opaque
VuITek+ S EI60-S M4		RC4 to EN 1627/30									
VuITek+ S EI60-P M3		RC3 to EN 1627/30	-								
VuITek+ S EI60-P M4		RC4 to EN 1627/30									

Site preparation

Surface-mounted version



Tunnel mounted version



Installation of Vultek+ S doors shall be carried out in standard rigid support structures having a density of at least 650 kg/m³ and a thickness of at least 200 mm.

Drawings of the Vultek+ S version are available on request.

Notice:

- The product performance depends upon the quality of its installation. All installation details are provided in the Vultek+ S installation manual.
- Any modification of a certified doorset by adding non factory fitted device may result in the loss of certification. Contact Fichet for more information.
- Certificates for fire resistance are available on demand. Depending upon the country, a validation of the test certificate may be required by local fire regulation bodies. Contact Fichet for any certificates request



FICHET

Distributor



**LO GIUDICE
MERFORI**

Fichet Security Solutions France – Official Distributor

LO GIUDICE MERFORI

Via del Gonfalone 3, 20123 – Milano MI

Via Lucchini 95, 26100 - Cremona CR

Via Ugo La Malfa 91, 90146 Palermo PA